



USER GUIDE
VENTED CLOTHES DRYER

HDV60AWW1
HDV70AWW1

NZ AU

Haier

Thank you for purchasing a Haier Product.

Please read these instructions carefully before using this appliance. The instructions contain important information which will help you get the best out of the appliance and ensure safe and proper installation, use and maintenance.

Keep this manual in a convenient place so you can always refer to it for the safe and proper use of the appliance.

If you sell the appliance, give it away, or leave it behind when you move house, make sure you also pass this manual so that the new owner can become familiar with the appliance and safety warnings.

Legend



Warning! – Important safety information



General information and tips



Environmental information

Disposal



Help protect the environment and human health. Put the packaging in applicable containers to recycle it. Help to recycle waste of electrical and electronic appliances. Do not dispose appliances marked with this symbol with the household waste. Return the product to your local recycling facility or contact your municipal office.

Safety information.....4

Intended use.....8

Product description.....9

Control panel.....10

Dry cycles.....13

Dry Preparation.....14

Getting started quickly.....16

Care and clean.....18

Before you call for service.....19

Fault codes.....20

Troubleshooting.....21

Installation.....24

Customer care.....30

Before switching on your appliance for the first time, read and save this guide.



Fire Hazard

- If you wish to stop the dryer before the cycle has finished you **MUST** remove the clothes **IMMEDIATELY** and spread them out to cool. **DO NOT** leave the clothes in the dryer or bunched up in a clothes basket. Take extreme care as the drum and load items may be extremely hot.
- Do not use the appliance if industrial chemicals (e.g. solvents) have been used on the clothes.
- A clothes dryer produces combustible lint: the lint filter must be cleaned before every drying cycle.
- Rubber backed articles, foam rubber (latex foam) , clothes or pillows fitted with foam rubber pads, fibreglass, shoes containing rubber, plastic, shower caps, babies waterproof napkin covers and waterproof textiles should not be dried in the dryer. These materials can when heated produce fire by spontaneous combustion.
- Oil- affected items can ignite spontaneously, especially when exposed to heat sources such as a tumble appliance.
- Items that have previously been cleaned in, washed in, soaked in or spotted with flammable liquids or solids, eg petrol/gasoline, kerosene, dry cleaning solvents, vegetable or cooking oil, acetone, denatured alcohol, some brands of spot removers, turpentine, waxes and wax removers or other flammable or explosive substances should not be placed in a tumble dryer.
- Failure to follow the warnings outlined in these user instructions can cause a fire hazard.
- Failure to follow these instructions can result in death or personal injury.

Meaning of symbols on the dryer



Warning: Risk of fire/Flammable materials



Read the instructions



WARNING!

Before First Use

- Do not operate this machine if it has been damaged during transport. Contact your dealer or Haier service technician.
- Ensure all transport bolts are removed before running the appliance. Failure to do so might end in damage to the appliance.
- Remove all packaging and keep out of reach of children.
- This appliance is heavy, we recommend 2 people to move and install the appliance.

- This appliance is heavy, we recommend 2 people to move and install the appliance.
- This product has been designed for personal, family or household use. This product is not designed for any commercial use. Any commercial use will terminate this products manufacturer's warranty.



WARNING!

Daily use

- This appliance is not intended for use by persons (including children) with reduced physical, sensory or mental capabilities, or lack of experience and knowledge, unless they are supervised or given instructions on how to use it by someone responsible for their safety.
- Supervise children to ensure they do not play with the appliance or climb inside the drum.
- Do not swing on or put weight on the door.
- The appliance should only be used for garments recommended for machine drying. Always follow the advice on the care label.
- Do not touch or operate the machine with wet hands or with bare-feet.
- Do not place dripping wet clothing in or on top of the appliance as it may create an electrical hazard.
- Do not use the appliance if industrial chemicals (e.g. solvents) have been used on the clothes.
- Remove all items such as lighters and matches from pockets.
- Pull up zips, fix loose threads and protect embellishments to prevent garments from being damaged and entangled.
- Garments that contain metal reinforcements should not be placed in the appliance. If necessary, use an appropriate laundry bag or net.
- The appliance might get hot during operation, use caution if in close proximity.
- Unplug the appliance before undertaking maintenance. Hold the plug (not the cable) when unplugging the machine.
- Ensure there are no undesirable objects inside the drum before starting a cycle.
- Ensure that the ambient temperature is between 5C and 35C before using the appliance.

Capacity

- Do not overload the appliance beyond its rated capacity:
MAXIMUM DRY CAPACITY HDV60AWW1: 6 Kg
MAXIMUM DRY CAPACITY HDV70AWW1: 7 Kg
- Capacity refers to the maximum dry weight of items the appliance can dry at any one time

Dryer Information

- Ensure all lint filters are cleaned before every load.
- Do not operate this product without the lint filter in place or allow lint to accumulate in or around the appliance.

- If the lint filter is damaged, contact your Haier service technician to arrange getting a new filter. Do not operate your appliance with a damaged lint filter or without the filter in place, as this will cause damage to your appliance.
- If ducting the dryer to the outdoors, ensure adequate ventilation is provided during operation of the appliance to avoid any backflow of gases from fuel burning appliances.



WARNING!

Dryer Information

- **WARNING:**The last stage of the drying cycle is a cool down phase. Never stop a tumble clothes appliance before the end of the cycle unless all items are removed and spread out in order to dissipate the heat.
- Do not dry items which are unwashed.
- Do not dry items which have been cleaned with industrial chemicals.
- Items that have previously been cleaned in, washed in, soaked in or spotted with flammable liquids or solids, eg petrol/gasoline, kerosene, dry cleaning solvents, vegetable or cooking oil, acetone, denatured alcohol, some brands of spot removers, turpentine, waxes and wax removers or other flammable or explosive substances should not be placed in a tumble dryer.
- Rubber backed articles, foam rubber (latex foam), clothes or pillows fitted with foam rubber pads, fibreglass, shoes containing rubber, plastic, shower caps, babies waterproof napkin covers and waterproof textiles should not be dried in the dryer. These materials when heated can produce fire by spontaneous combustion.
- Do not dry an electric blanket or any other electrical items in your dryer, unless the care label specifically states it is safe to do so. Never dry these items at high temperatures.
- Fabric Softeners or similar products should not be used in a tumble dryer to eliminate the effects of static electricity, unless this practice is specifically recommended by the manufacturer of the fabric softener product.
- Oil-affected items can ignite spontaneously, especially when exposed to heat sources such as a tumble appliance. The items become warm causing an oxidation reaction in the oil. This oxidation creates heat. If the heat cannot escape the items can become hot enough to catch fire. Piling, stacking or storing oil-affected items can prevent heat from escaping creating a fire hazard.
- If it is unavoidable that fabrics that contain vegetable oil, cooking oil or have been contaminated by hair care products be placed in the appliance, they should first be washed in hot water with extra detergent – this will reduce, but not eliminate the fire hazard. The cool down cycle of the appliance should be used to reduce the temperature of these items. They should not be removed from the tumble appliance and piled or stacked while hot.

**WARNING!****Maintenance, Cleaning and Disposal**

- Keep the gasket, dispenser and door clean to prevent odours.
- Do not use water spray or steam to clean the appliance.
- A damaged electrical cable must be replaced by a Haier service technician or similarly qualified person. Do not use the appliance until it has been repaired to avoid a risk of electric shock.
- The only user-removable parts of the appliance are the lint filter .
No other parts are designed to be removed by the user.
- When disposing of the appliance, it is recommended that the door is removed to avoid children getting trapped inside, and that the electrical cable is cut off close to the machine.
- Unless the product is modified by an approved technician, any changes might result in loss of warranty.

Installation

WARNING! Electric Shock Hazard Failure to follow this advice may result in electric shock or death.

- Ensure that the appliance cable is positioned so that it does not come into contact with water or moisture.
- The appliance must not be supplied through an external switching device, such as a timer, or connected to a circuit that is regularly switched on and off by a utility.
- Install the appliance in a well-ventilated, dust-free environment.
- This appliance must not be installed or operated on a plinth (other than a genuine Haier part, installed per the instructions).
- We do not recommend the use of extension cords or portable electrical outlet devices.
- Ensure the installation provides accessibility to the plug or incorporate a switch in the fixed wiring in accordance with the wiring rules to allow disconnection of the appliance from the supply after installation.
- Review the electrical information on the rating plate before plugging in this appliance to make sure the right voltage and current can be supplied.
- Install the appliance on a solid and level surface ensuring it has 20mm clearance on each side. The appliance must not be installed on any textured floor coverings (eg carpet, rugs).
- Do not expose the appliance to frost, external heat sources or direct sunlight.
- Do not install the appliance in a location where the ambient temperature drops below 5°C.
- Do not install the appliance outdoors or in a damp location.

Intended use

- This appliance is intended for drying garments that can be tumbled.
- Follow the manufacturer instructions found in the garment label.
- Do not make any changes or modifications to this appliance, they might cause personal injury and damages to property.
- Do not install the appliance behind a lockable door, sliding door, or behind a door where the hinge is on the opposite side to that of the dryer in such a way that the full opening of the door is inhibited. Ensure the dryer door can always be opened fully.
- If installed behind a cabinetry door, it must be hinged on the same side as the dryer with a minimum clearance of 30mm from the dryer handle to the internal surface of the cabinetry door. The cabinetry door must remain open while the machine is running.
- Exhaust air must not be discharged into a flue which is used for exhausting fumes from appliances burning gas or other fuels.

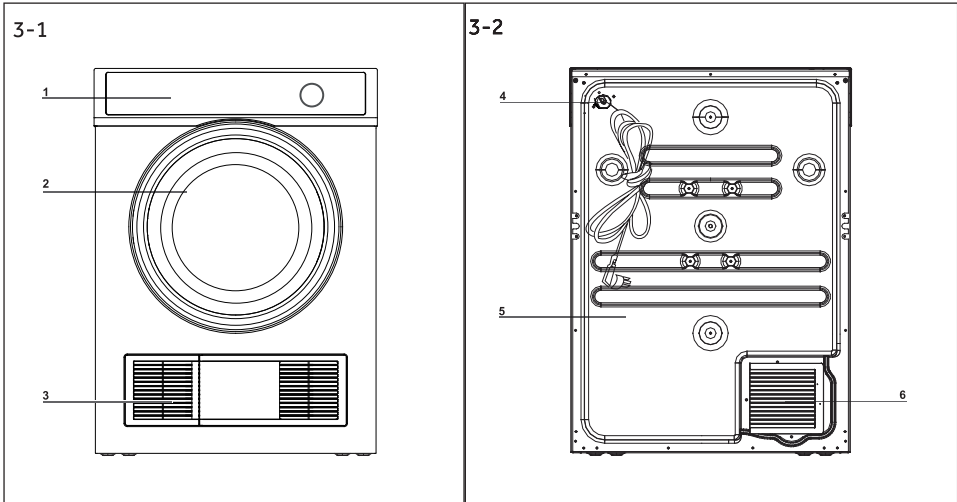
i Notice

Due to technical changes and different models, the illustrations in the following chapters may differ from your model.

3.1 Picture of appliance

Front (Fig. 3-1):

Rear side (Fig. 3-2):



- 1 Control panel
- 2 Door
- 3 Air inlet

- 4 Power supply cord
- 5 Back plate
- 6 Air outlet

3.2 Accessories

Check the accessories and literature in accordance with this list (Fig.3-3):

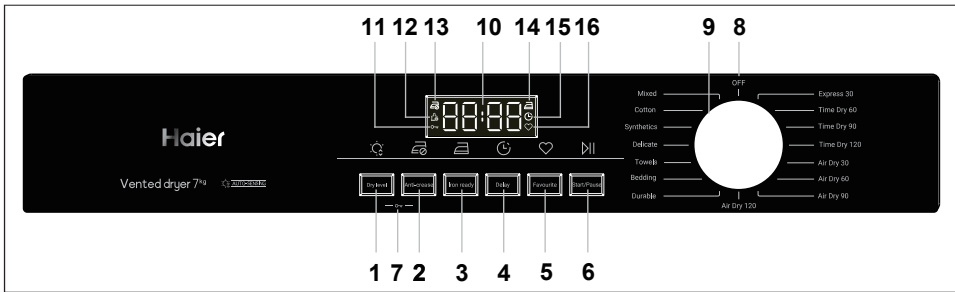
3-3

HDV60AWW1

- 1 x Installation instructions and user guide
- 1 x Wall mounting kit
- 2 x Stacking bracket
- 1 x Hose connector
- 1 x Flexible hose
- 1 x Flexible hose clip
- 1 x Inverted panel
- 1 x Warranty card

HDV70AWW1

- 1 x Installation instructions and user guide
- 1 x Wall mounting kit
- 2 x Stacking bracket
- 1 x Hose connector
- 1 x Flexible hose
- 1 x Flexible hose clip
- 1 x Inverted panel
- 1 x Warranty card



- | | | |
|----------------------|---------------------------|----------------------------|
| 1 Dry level button | 7 Key lock button | 13 Anti-increase indicator |
| 2 Anti-crease button | 8 Power | 14 Iron ready indicator |
| 3 Iron ready button | 9 Cycle selector knob | 15 Delay indicator |
| 4 Delay button | 10 Display | 16 Favourite indicator |
| 5 Favourite button | 11 Key lock indicator | |
| 6 Start/Pause button | 12 Clean filter indicator | |

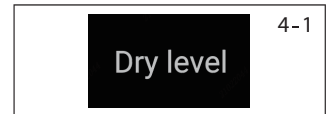
4.1 Dry level

Press the Dry Level button (Fig.4-1) to change the end dry level of the program.

H1:Damp/Dry - This setting is recommended for garments that will be finished with an iron treatment.

H2:Dry - This setting is recommended for the majority of garments; garments can be worn after drying

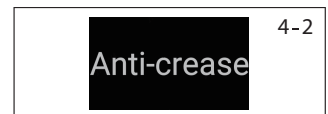
H3:Extra Dry - Use this setting for large,bulky and durable items.



4.2 Anti-crease

Press the Anti-Crease button (Fig.4-2) to add periodical tumbles after cooldown for a selected period of time.

When active the drum will rotate periodically to minimise wrinkling and creasing.This is particularly useful if you cannot remove the items immediately after the cycle ends.

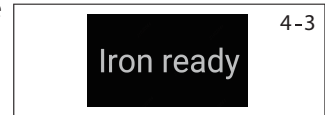


4.3 Iron ready

Use "Iron ready" to set a notification when the garments are at a moisture level most suitable for ironing.

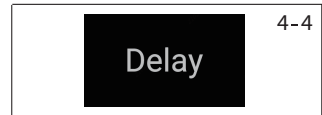
When ready, the Iron ready Icon LED will start flashing and the machine 5 beeps every 5 minutes.

Pause the cycle and remove the desired garments. Close the door and restart the cycle to allow the remainder of garments to finish the cycle. This is particularly useful if you have a mixed load with only a few garments to be ironed.



4.4 Delay

Set a delay time for the cycle to start. Avoid using this function for damp, non-colourfast items as this may cause dye run to occur. The Delay function is available for all cycles.



4.5 Favourite

Choose a program and the desirable modifiers, then start the cycle. Press Favourite (Fig.4-5) for 3 seconds to save the personalised options. The selection will become the default setting for that program and the Favourite icon (Fig.4-16) will be ON on the display to indicate it. To restore the default parameters, select "Iron ready" and "Dry level" for 3 seconds simultaneously, the display will show "dEF" to acknowledge the change. The favourite function is available for all cycles.



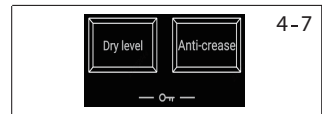
4.6 Start/Pause

Press the Start/Pause (Fig.4-6) to start or interrupt the selected program.



4.7 Key lock

Use Key Lock to disable the buttons on the display panel. Key Lock can be used at any time including while a cycle is running. When locked, the controls will be unresponsive except the Start/Pause button and the Power button. To select, press Dry level and Anti-crease (Fig.4-7). The Key lock icon will turn ON and the display will show Key lock to indicate the selection.



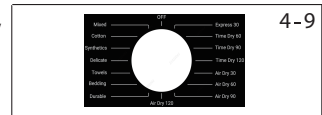
4.8 Power

Turn the knob to any position (except OFF) to start the machine. Turn the OFF position to shut down the machine.



4.9 Cycle Selector

Turn the knob to select a program. When a cycle is selected, it will lit up and default setting will be displayed.



4.10 Display

The display (Fig.4-10) will show important information about cycle:

Options and modifiers, remaining time, error codes and service information, warnings and notifications.



4.11 Key lock indicator



4.12 Clean filter indicator

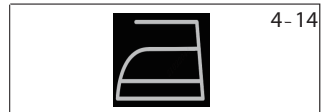
When the clean filter indicator lights up it is time to clean your lint filter. See instructions in the Care and Cleaning section.



4.13 Anti-crease indicator



4.14 Iron ready indicator



4.15 Delay indicator



4.16 Favourite indicator



CYCLE	DEFAULT DRY LEVEL	DESIGNED FOR	MAX. LOAD SIZE (6KG)	MAX. LOAD SIZE (7KG)
Mixed	H-3	Autosensing cycle for loads with different types of clothes and fabrics	6	7
Cotton	H-3	Autosensing cycle for garments made of cotton fabrics	6	7
Synthetics	H-2	Autosensing cycle for garments made with synthetic fabrics or synthetic blends	6	7
Delicate	H-2	Gentle autosensing cycle for delicate garments	3	3
Towels	H-3	Autosensing cycle designed to dry thick, durable and absorbent items such as towels	6	6
Bedding	H-3	Autosensing cycle with a reverse pattern designed to dry bed sheets	6	6
Durable	H-3	Autosensing cycle designed to dry durable fabric made of cotton or synthetic blends	6	7
Express 30	n/a	Fast fixed time cycle to dry small loads of light garments	1	1
Time Dry	n/a	Timed cycle that uses hot air to dry garments	—	—
Air Dry	n/a	Timed cycle that uses cold air to freshen garments	—	—

*DEFAULT DRY LEVEL : Extra-Dry-H-3 ; Dry-H-2 ; Damp-H-1

Registration Cycle

HDV60AWW1

Cotton,H-2 is the recommended energy saving cycle for everyday drying.

HDV70AWW1

Cotton,H-3 is the recommended energy saving cycle for everyday drying.

Sorting

Sort items into loads of similar items, and loads that will likely take similar times to dry. This prevents the possibility of some items being over-dried whilst others are still damp.

Separate coloured items from white/light items where possible, especially when new. Colour run may be an issue, especially if you intend to delay the start of the drying cycle.

Care labels on garments provide valuable information about the fabric type and how the garment should be dried. Always follow the advice in garment labels.

ITEM/DRYING REQUIREMENTS	SUGGESTED CYCLE	COMMENTS
Towels	Towels	Towels produce a lot of lint and are best dried on their own.
Sheets, pillowcases	Bedding	Ensure openings are buttoned/domed before placing in the dryer.
Delicates, fine fabrics	Delicate	You can further reduce the dryness level to damp for very delicate items
Mixed clothes	Cotton or Synthetic	Ensure the items can safely withstand heat.

Before you load

- Check pockets for items that could damage your clothes or get caught in the dryer. Close zippers, hooks and eyes, and other fastenings (ie fasten the openings of duvet/ doona covers), and remove loose bra wires. These may damage both your dryer and your clothes.
- Items of clothing with screen-printing should be turned inside out to prevent damage to the print.
- Check the lint filter is clean.

Loading

- Garments need to be loaded correctly to minimise creasing and wrinkling, and to ensure the load is dried evenly.
- Allow enough room in the dryer for clothes to tumble freely. Load the dryer in terms of the space the garments take up when dry, rather than when they are wet.
- Shake clothes out and load individually to help items dry evenly and reduce tangling.
- Dry permanent press garments (business shirts) together on the Damp dryness level with Anti-crease option on. This will help reduce wrinkling and the need for ironing.
- Hang garments as soon as the drying cycle is complete to reduce the need for ironing.

Drying times

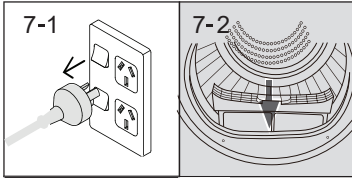
- Drying very small loads is inefficient. Try to dry medium to large loads.
- Heavier items (towels, flannelette sheets) will take longer to dry than light items (synthetics and polyester cotton sheets and shirts).
- Drying times can be reduced by spinning the wash load at the highest spin speed suitable for the load type in your washing machine.
- Check bulky items during the cycle to ensure even drying, pause the dryer and reposition the item if necessary.

Lint

Some items are lint givers, while others are lint collectors. Always dry lint givers and collectors separately.

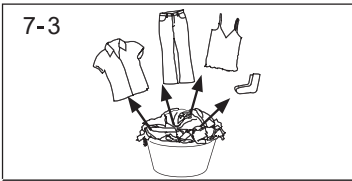
LINT GIVERS	LINT COLLECTORS
Towels	Synthetics, eg polar fleece
Flannelette sheets	Corduroy
	Polyester cottons

Delicate or easily damaged items (eg nylon stocking, fine fabrics, delicate embroidered fabrics) should be dried separately, using the DELICATE cycle.



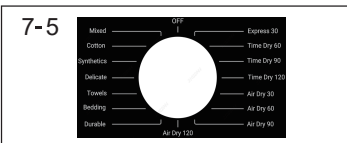
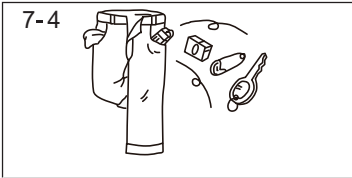
7.1 Preparing the appliance

- Connect the appliance to a power supply(220V to 240V~/50Hz)
- Make sure:
 - the lint filter is clean and properly installed.(Fig.7-2).



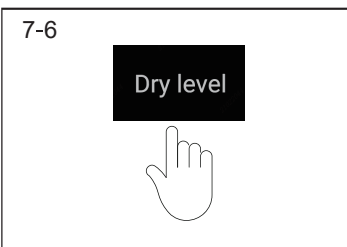
7.2 Preparing the laundry

- Sort clothes according to fabric (cotton, synthetics, wool etc.).
- Empty pockets of sharp or flammable objects such as keys and matches.
- Follow the instructions in the laundry label and dry loads that can be dried.



7.3 Activate the dryer

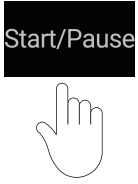
- Turn the knob to the program to power on your dryer
- Select your desired drying cycle by turning the control dial



7.4 Set dry level

1. Select your desired dry level by pressing the button, there are three drying temperatures you can choose from:
 - H-1 : The highest drying level and longer program running time
 - H-2 : Suitable for daily drying of ordinary single-layer clothing
 - H-3 : After drying,it is in a damp state,suitable for removing,ironing or hanging dry

7-7



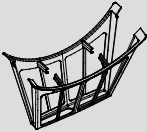
7.5 Start the cycle

1. Press **Start/Pause** to start the cycle.
If you wish to change a cycle or select a different option once a drying cycle has started, you should power off and restart the dryer.

8-1



8-2



8-3



8.1 Lint filter cleaning

Clean the lint filter after each dry cycle.

1. Remove the lint filter from the drum(Fig.8-1).
2. Open up the lint filter(Fig.8-2).
3. Clean the lint filter from any lint residuals(Fig.8-3).

8.2 Clean the dryer

Wipe the outside of the tumble dryer and the control panel with a damp cloth.Do not use any organic solvent or corrosive agent to avoid damage to the device.

8.3 Clean the Drum

After some operation time, fabric care agents or calcium contained in the water can form an almost invisible film on the inside of the drum. Use a damp cloth and some detergent to remove it. Do not use any organic solvent or corrosive agent to avoid damage to the device.

User warnings

Your dryer is capable of diagnosing a number of its own problems. It will sound a continuous series of beeps and display a user prompt when it has a problem that you can correct yourself. To stop the beeps sounding, touch any button on the control panel. Do not try to continue your drying cycle once you stop the noise. You must address the problem the dryer is alerting you to.

Check the below table before you call for service.

PROBLEM	DISPLAYED AS	WHAT TO DO
Keylock is activated	<i>KEY LOC</i>	Touch and hold the 'Key Lock' button for 3 seconds to deactivate the Keylock.
The door is not closed	<i>door</i>	Close the door fully and press 'Start / Pause'.
	<i>OPEN</i>	Try opening and closing the door again.
	<i>door</i>	Reposition the load, make sure the load is correctly in the drum and that protruding items are not stopping the door from closing.
Dryer has been paused	<i>PAUS</i>	Press the 'Start / Pause' to resume the cycle.

Once you have addressed the issue the user prompt was alerting you to, try using your dryer as per usual. If the issue persists, call your Haier trained and supported service technician.

When a continuous series of beeps sound, all the lights turn off on the control panel and a string of codes appears on the display 'a fault has occurred'. Please call your trained and supported Haier service technician.

PROBLEM	POSSIBLE CAUSES	WHAT TO DO	
Turning the knob does not turn on the dryer.	Fault with household power supply.	Try plugging in and turning on another electrical appliance.	
Pressing 'Start / Pause' does not start the drying cycle.	Dryer could be displaying a user warning or fault code. 'Delay' function is set.	Refer to Section 10. Refer to Section 4 "Control panel" for more information.	
Dryer keeps stopping and starting.	The 'Anti-crease' option has been selected.	Refer to Section 4 "Control panel" for more information.	
Dryer stops working mid-cycle.	Power failure.	Turn the knob and restart the desired cycle.	
	Dryer has been paused.	Press the 'Start / Pause' button to restart the cycle.	
	Dryer door is open.	Ensure the door is firmly shut.	
Dryer is taking too long/results were not satisfactory.	Drying cycle selected not appropriate for the load.	Select an appropriate cycle for the load.	
	Selected drying temp, not appropriate for the load.	Select a higher drying temp.	
	Dryer overloaded for the cycle.		Some cycles have a lower max. load size.
			Try dividing the load in half and dry half at a time.
		Lint filter is blocked.	Clean the lint filter.
	Load overly wet at the start of cycle.	Remove more water from the load before placing it in the dryer, eg select a faster spin on your washer, a speed appropriate for your load.	
Clothes getting too hot or damaged.	Cycle selected not appropriate for the load.	Ensure the cycle selected is appropriate for items in the load.	
	Items removed from dryer before the end of cycle cool down had finished.	Removing items before cool down may damage clothing if it is not spread out and exposed to cooler air once removed from the dryer.	

PROBLEM	POSSIBLE CAUSES	WHAT TO DO
Dryer is beeping, displaying unfamiliar light patterns and/or a message on the digital display.	Dryer has a fault.	Refer to Section 10.
Noises.	Dryer is overloaded.	Remove some items from the dryer.
	Dryer has a fault.	Continuous beeping or a musical series of beeps with a message displayed on digital display.
	Beeps signalling the end of a drying cycle.	End of cycle beeps can be turned off.
Vibration.	Dryer is not installed on a stable surface.	Ensure the dryer is installed on a flat, stable surface.
	Dryer is overloaded.	Remove some items from the dryer.
Creasing.	Dryer is overloaded.	Remove some items from the dryer.
	'Anti-crease' option not selected.	Select the 'Anti-crease' option to rotate the load at the end of the drying cycle.
Dye transfer.	White/light and coloured items not separated before drying.	Remember to separate white/light and coloured items before placing them in the dryer.
	Wet items left sitting in the dryer for long periods of time before drying.	Do not leave wet items sitting in the dryer for long periods of time before drying, if they are prone to colour run. If you do intend to leave them for long periods before drying, then separate the load and put those items that may cause colour run aside.
Tangling.	Loads not separated during loading.	Try separating out larger items from smaller items.
	Items loaded into the dryer incorrectly.	Load items individually into the dryer. Do not place folded items in the dryer.
	Load size too large.	Try drying smaller load sizes. Some cycles have a lower maximum load size.
	Sheets and duvet covers due to their size, are prone to tangling.	Dry sheets and duvet/duona covers separately from other laundry. Ensure duvet/duona covers are buttoned or fastened closed before drying.

PROBLEM	POSSIBLE CAUSES	WHAT TO DO
Linting.	Lint filter not cleaned or replaced.	Ensure the lint filter is cleaned after every cycle and replaced correctly.
	Loads not sorted correctly.	Dry lint givers separately from lint receivers. Dry similar colours together eg light coloured items with light coloured items, dark items with dark items.
	Clothes over dried.	Over drying clothes in the dryer can cause them to attract lint. Use an auto sensing cycle or ensure you check your load if using the time dry cycles to avoid over drying.
	New items have been dried in the dryer recently. New towels or flannelette sheets can leave lint in the dryer, which may be picked up by subsequent loads.	Clean the lint filter and use 'No heat' cycle to clear any remaining lint from the dryer.
Fabric damage.	Catching on metal part on items in the load.	Fasten zips and other clasps before placing items in the dryer.
	Items not separated or dried on an appropriate cycle for the fabric type.	Dry similar items together. Ensure an appropriate cycle is selected.
	Used a 'Time Dry' cycle and did not monitor the dryness of clothes during the cycle.	Ensure that clothes are checked for dryness during the cycle when using the timed programmes to avoid over drying.
	Instructions on care label not followed.	Follow the instructions on the care label of the items.

Freestanding, Stacking and Wall mounted

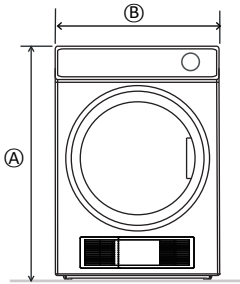
Your dryer can be installed freestanding, stacked on top of a Haier front load washing machine, or inverted and mounted on the wall.

Your dryer can also be configured for front venting or rear venting.

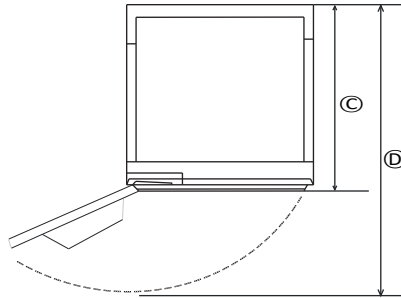
Please refer to the following section for installation information.

	HDV60AWW1	HDV70AWW1
Capacity (kg)*	6	7
ELECTRICAL		
Volts	220-240	220-240
Hz	50	50
Amps (maximum)	10	10
Rated Power (W)	1770	1770
Waterproof degree	IPX4	IPX4

Product dimensions



FRONT



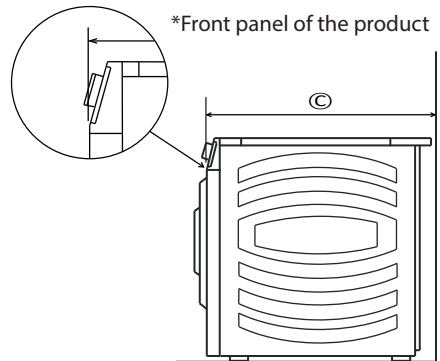
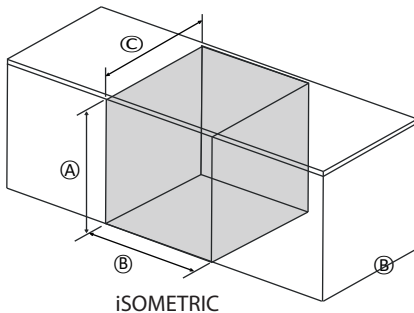
PLAN

PRODUCT DIMENSIONS

(A) Overall height*	830mm
(B) Overall width	600mm
(C) Overall depth	565mm
(D) Depth of open door	970mm

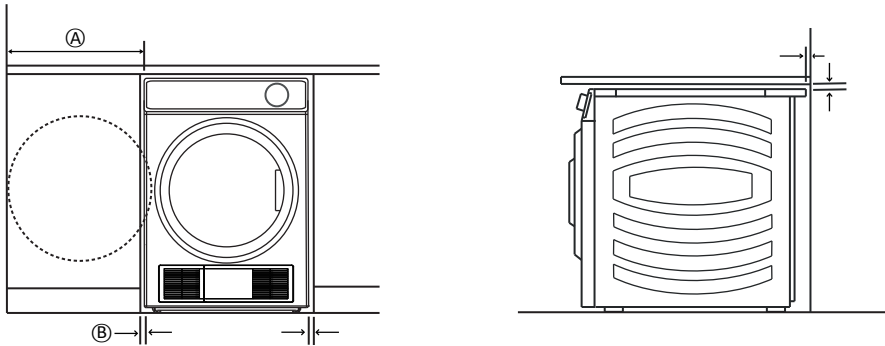
*Including dial and door (when closed)

Cavity and clearance dimensions



CAVITY DIMENSIONS

(A) Minimum cavity height	850mm
(B) Minimum cavity width	630mm
(C) Minimum cavity depth	
- Flush with front panel of the product*	565mm
- In cupboard	605mm



CLEARANCE DIMENSIONS

Ⓐ Minimum door clearance to adjacent wall	335mm
Ⓑ Minimum gap clearance to adjacent product or cabinetry*	20mm

*Applies to sides, top and rear

Stacking installation

A stacking kit **MUST BE USED** between the products and fitted correctly to the washing machine and dryer, as per the below instructions.

*Ensure you use the supplied stacking kit for this product and Haier front load washing machine.

*Ensure the washing machine is the same width as your dryer.

*Ensure that the power plug is always accessible.

The following stacking configurations are not safe and **MUST NOT** be used:

*A washer stacked on top of a dryer.

*A washer on top of a washer.

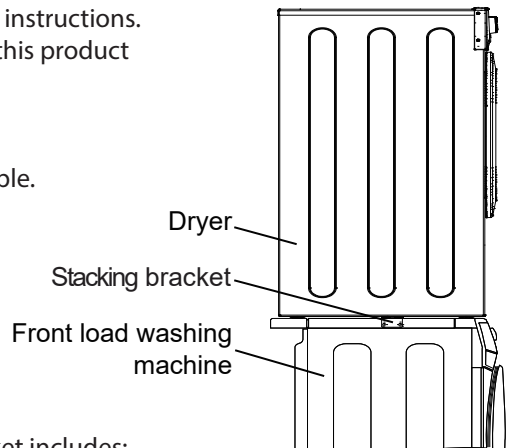
*An incompatible washer/dryer/stacking kit combination.

Tools and parts required:

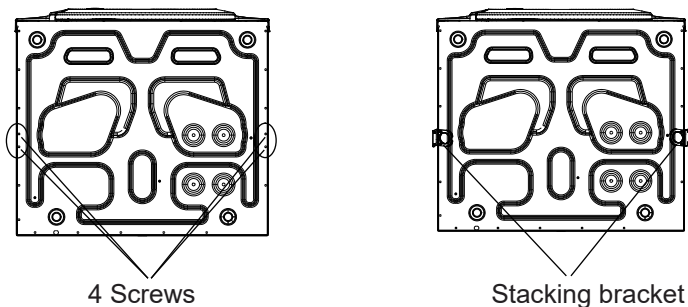
- Drill and 2.9mm bit
- Phillips head screwdriver

Stacking bracket includes:

- 2 x Stacking bracket



- 1 Remove 4 screws at two sides of bottom panel, then install the stacking bracket.



- 2 Install your dryer with stacking bracket on the top of the front load washing machine. Drill two holes on both sides of top panel of washing machine with 2.9mm diameter drill. Detailed drill position as shown on the stacking bracket. Only use the screws supplied in the stacking bracket. Fix the stacking bracket on the top panel of washing machine.

Inverted wall mounting

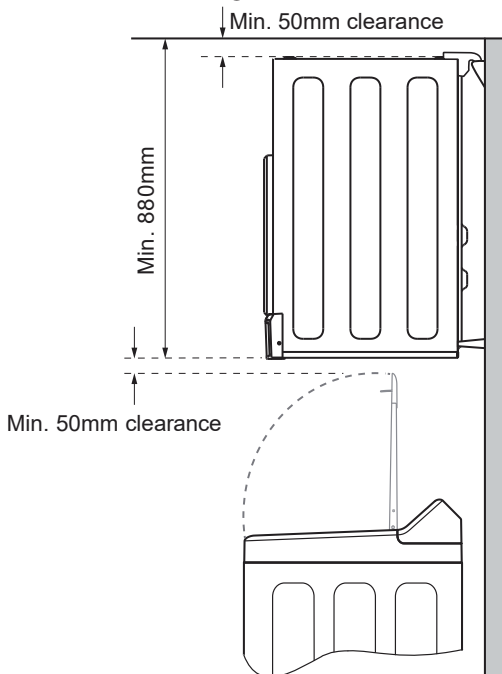
Your dryer has been designed to be inverted and mounted on the wall above a washer or tub. A wall mounting kit must be used. Inverting allows access to the dry control panel.

Tools and parts required:

- Drill and 3mm bit
- Phillips head screwdriver

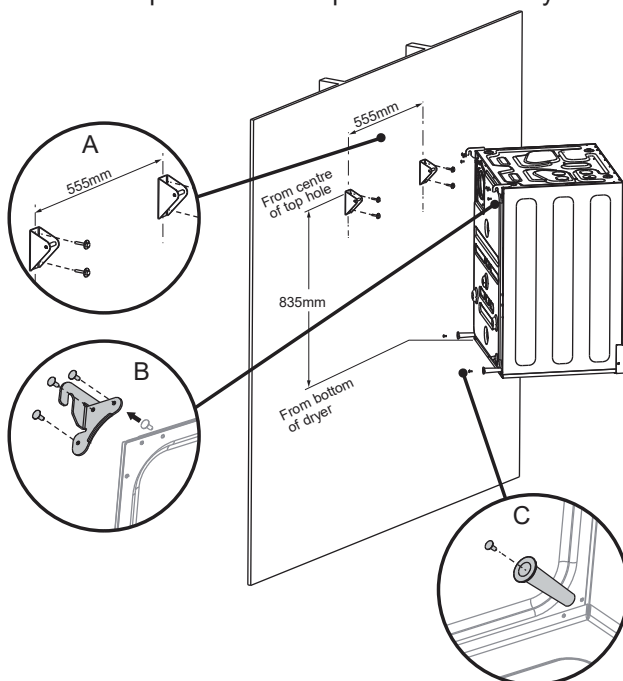
Wall mounting kit includes:

- 2 x Plastic spacers
- 2 x Wall hanging brackets
- 2 x Hanging hooks
- 4 x Wood screws
- 6 x Screws for hanging hooks and plastic spacers



Mounting dryer on wall

- 1 Determine the position of the dryer on the wall and mark the bracket position. A minimum of 50mm is needed between the top of the dryer and the ceiling for ease of installation. If mounting above a washing machine, allow sufficient room to open the lid of the washer.
- 2 Fix the wall hanging brackets to the wall securely, ie into the stud. If the studs are too far apart, fit a timber slat to the studs and then mount the brackets to the slat. If a slat is used install a second slat behind the spacers to ensure the dryer is horizontal. The distance between the centre of each bracket is 555mm (A).
- 3 To install the hooks onto the dryer, remove one screw from each side (B), reuse these screws with two more (each side) from the kit to fasten the hooks in place.
- 4 Remove plastic plugs from the back of the dryer and screw the spacers provided in place (C).
- 5 With assistance, mount the dryer on the wall brackets.
- 6 The inverted control panel is supplied in the accessories with your dryer. Fit inverted control panel over the existing panel.
- 7 Adjust the display to read correctly on an inverted panel:
 - Press and hold the 'Anti-crease' and 'Delay' buttons for three seconds.
 - The dryer will beep to indicate you have made a correct selection, and the display will change after three seconds.
 - Repeat the same steps to return the panel to the factory setting.



Venting- Never run the dryer unless the airflow system is free from obstruction.

- Venting must comply with local by-laws and regulations

Front Venting Your dryer comes already set up for front venting. If front venting is used there must be adequate ventilation to avoid the buildup of moisture in the room, which can affect the performance of the dryer.

External Venting

Your dryer has been designed to be vented outside to provide the following advantages:

- Ensures optimum efficiency by preventing recirculation of moist air.
- Reduces condensation on walls and ceilings.
- Reduces the chances of lint being sucked into the dryer.
- Prevents lint and other fine particles being blown into the room.

The external venting system should be:

- Made from 100mm diameter flexible plastic pipe , where the vent system goes through the wall.
- Exhausted outside and not into another confined space, eg the roof cavity of a house.
- Angled to avoid condensation and rain water running back into the dryer.
- The vent system should be a maximum of two meters with no more that three 90deg bends.

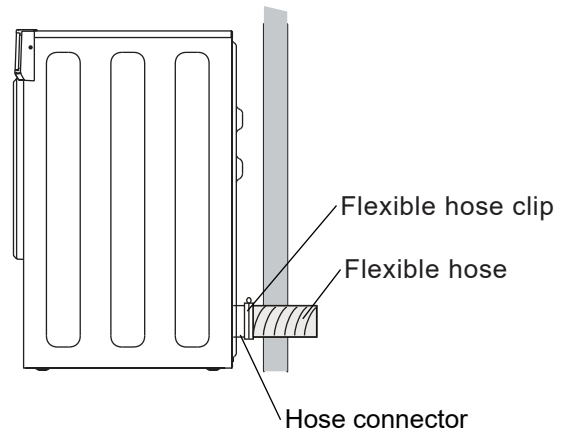
Before a rear venting option is installed the dryer must be changed from the front venting factory setup. Remove the outlet grille from the front left-hand side and replace with the outlet cover from the rear left-hand side. These covers should be gently pried at the sides to prevent damage.

Tools and parts required:

- Slotted screwdriver

kit part includes:

- Hose connector
- Flexible hose
- Flexible hose clip



Connect the narrow end of the connector to the dryer duct pipe mouth at the back of the dryer. Then connect the flexible hose to the wide end of the connector. Use the clip to fasten connection point between the flexible hose and connector(fasten clip with a screwdriver). Extend the flexible hose through the duct hole, make sure the flexible hose is not twisted to allow the air to be vented outside.

Customer Care

We recommend our Haier Customer Service and the use of original spare parts.
If you have a problem with your appliance, please first check the section TROUBLESHOOTING

If you cannot find a solution there please contact.

- Your local dealer, or
- The Service and Support area at www.haier.com where you can find telephone numbers, FAQs and where you can activate a service claim.

Before contacting our service team, ensure that you have the following information available.
The information can be found in the rating plate.

Model No. _____

Serial No. _____

Also check the Warranty Card supplied with the product in case of warranty.
For General business enquiries and for more information, please refer to www.haier.com

HDV70AWW1
HDV60AWW1

Haier



0180500689C