

Haier

HWO60S14TPB5, HWO60S14TPX5

Oven, 60cm

14 Function, Self-cleaning with Air Fry



HWO60S14TPB5



HWO60S14TPX5

Height

595mm

Width

595mm

Depth

568mm

Weight (Packaged)

40kg

Weight (Product)

38kg

FEATURES

- Cohesive design to pair with the Haier family of kitchen appliances in matching stainless steel or black glass
- 14 functions including Air Fry, Pizza and Roast, plus two Steam functions
- Basic Steam cooking to lock in moisture and nutrients
- Pyrolytic self-cleaning oven
- Telescopic shelf runners for easy removal of hot dishes
- 78 L gross capacity 70 L useable capacity
- Soft open and close door, for effortless handling

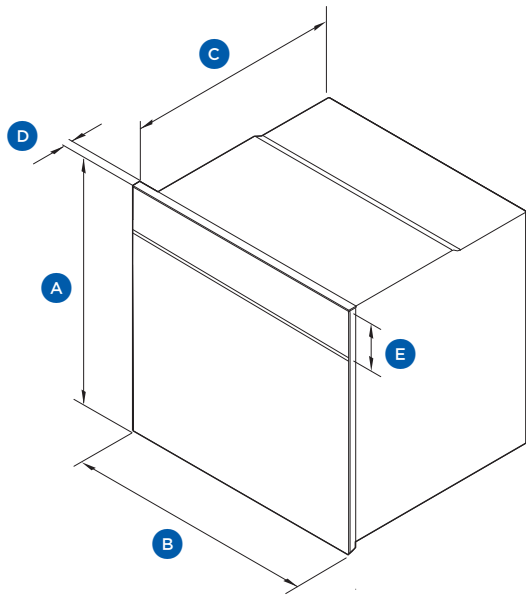
ACCESSORIES

- 2x wire racks
- Baking tray
- Air Fry tray

The models shown in this Specification Guide (SG) may not be available in all markets and are subject to change at any time. Product specifications may vary from those shown. This SG should not be used as installation guidance for any product. Further information is required to safely and correctly install the products featured here. Specific installation guidance will be available with the product on delivery and on our website haier.com

Product Overview

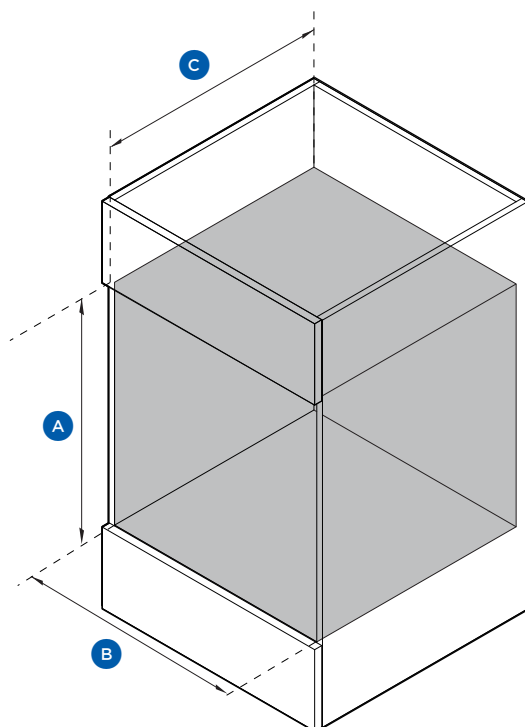
PRODUCT DIMENSIONS



	mm
A Overall height	595
B Overall width	595
C Chassis depth	548
D Depth of control panel	20
E Control panel height	100

The illustration is indicative only

CAVITY DIMENSIONS



	mm
A Minimum height of cavity	600
B Minimum width of cavity	560
C Minimum depth of cavity	560

SERVICES

- Supply 220-240 V, 50 Hz
- Service 16 A
- Connection Hard wired